



Cortasoles continuos - FINGERLIP / Aluminio
Brise-Soleil fixe filant - FINGERLIP / Aluminium
Continuous Sun breakers - FINGERLIP / Aluminium

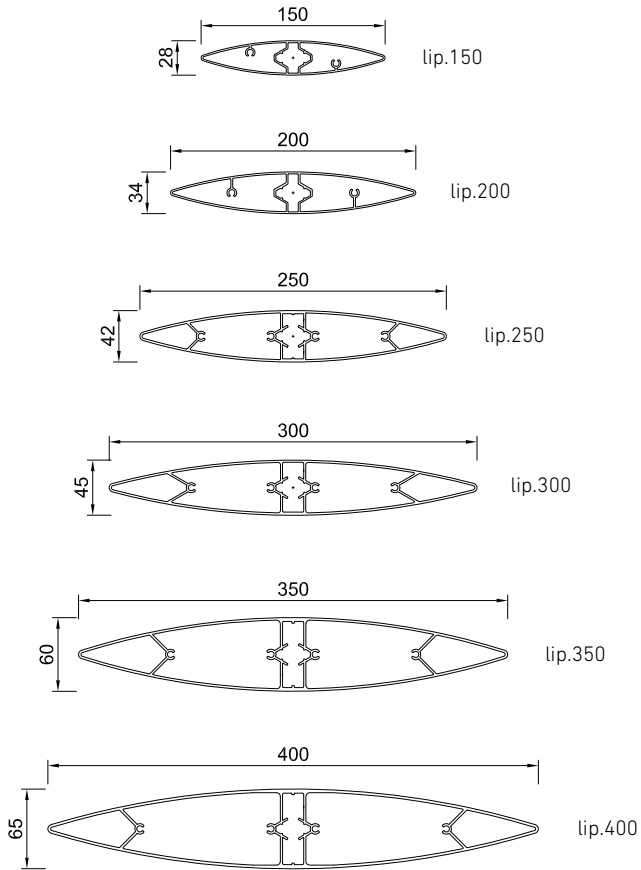
brise soleil

aluminio | *aluminium* | aluminium

laminas de gran formato | *lames grand format* | large format blades

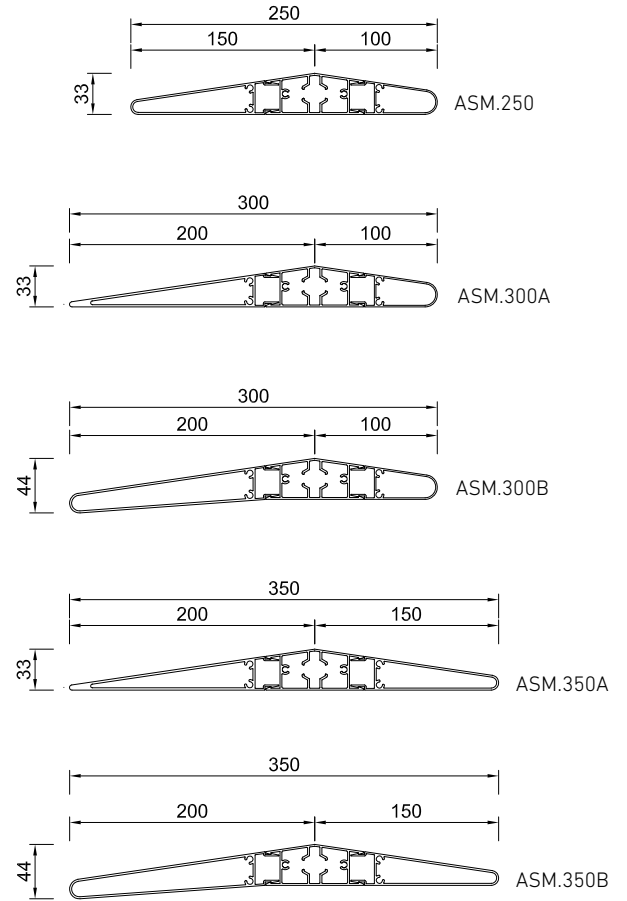
tamilip

laminas orientables y fijas | *lames orientables et fixes* | movable and fixed blades

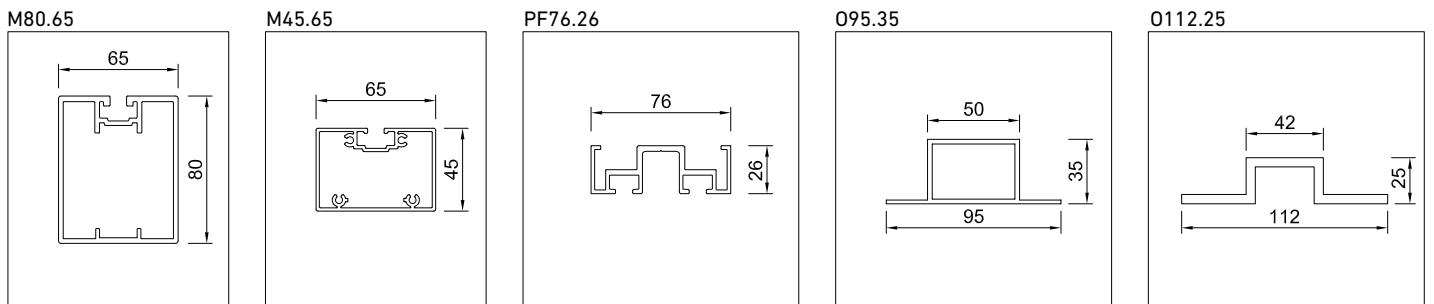


variant asimetric

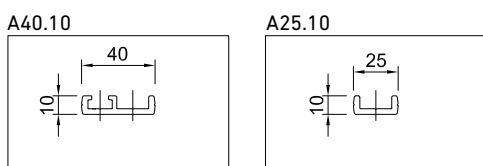
laminas orientables | *lames orientables* | movable blades



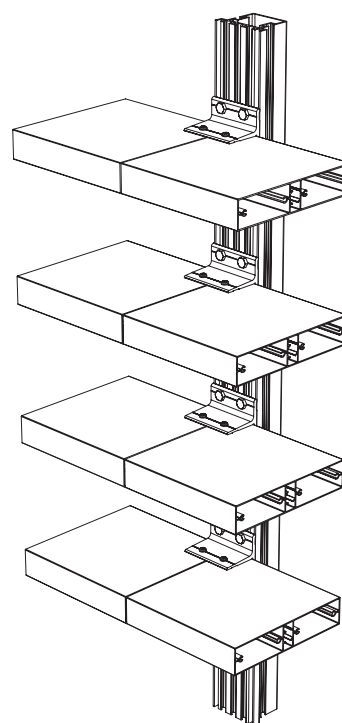
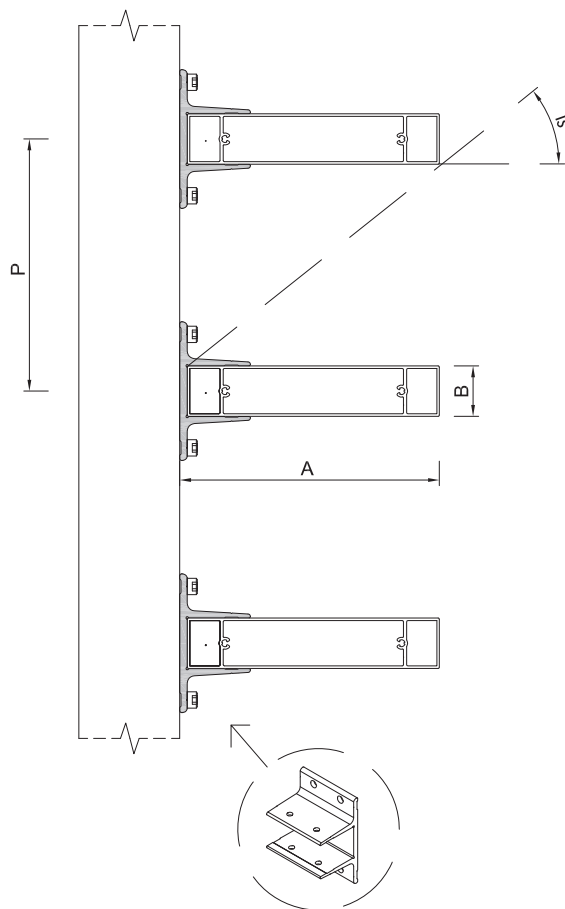
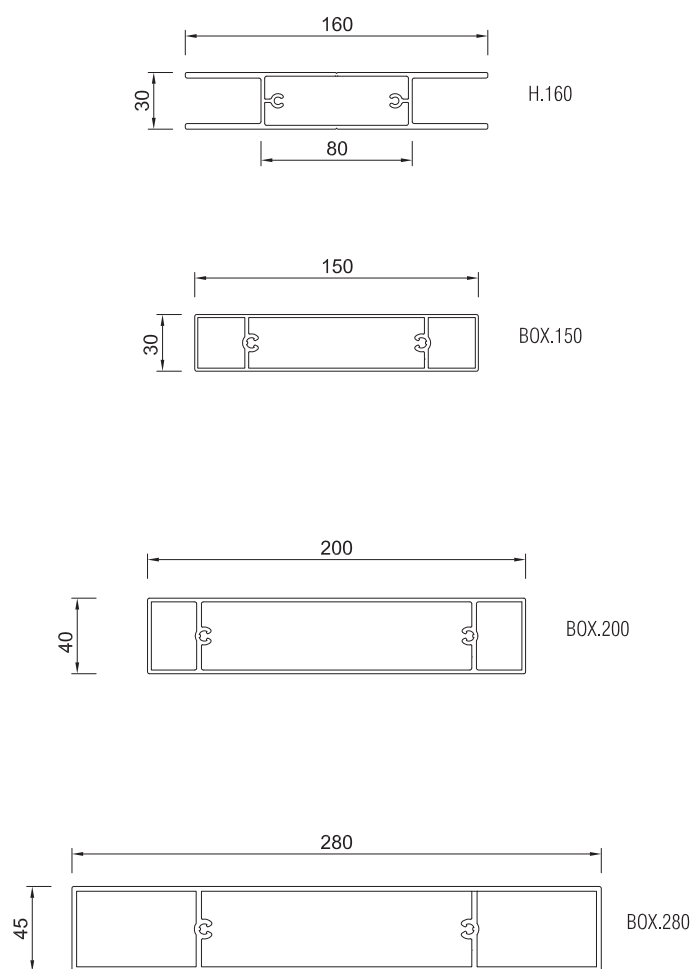
montantes | *montants* | mullions



arrastre | *barre de manouvre* | drive road



brise soleil - **tamibox**
 aluminio | *aluminium* | aluminium
 lama fija continua | *lame fixe filante* | continuous fixed blade



lama lame blade	cotas principales dimensions principales main dimensions		L Max (mm)		P (mm)			
	A (mm)	B (mm)	600 Pa	1250 Pa	$\beta = 15^\circ$	$\beta = 30^\circ$	$\beta = 45^\circ$	$\beta = 60^\circ$
H.160	166	30	3200	3000	73	122	190	307
Box,150	156	30	3400	3100	70	117	180	290
Box.200	206	40	3700	3100	94	155	240	386
Box.280	286	45	3900	3200	120	207	325	530

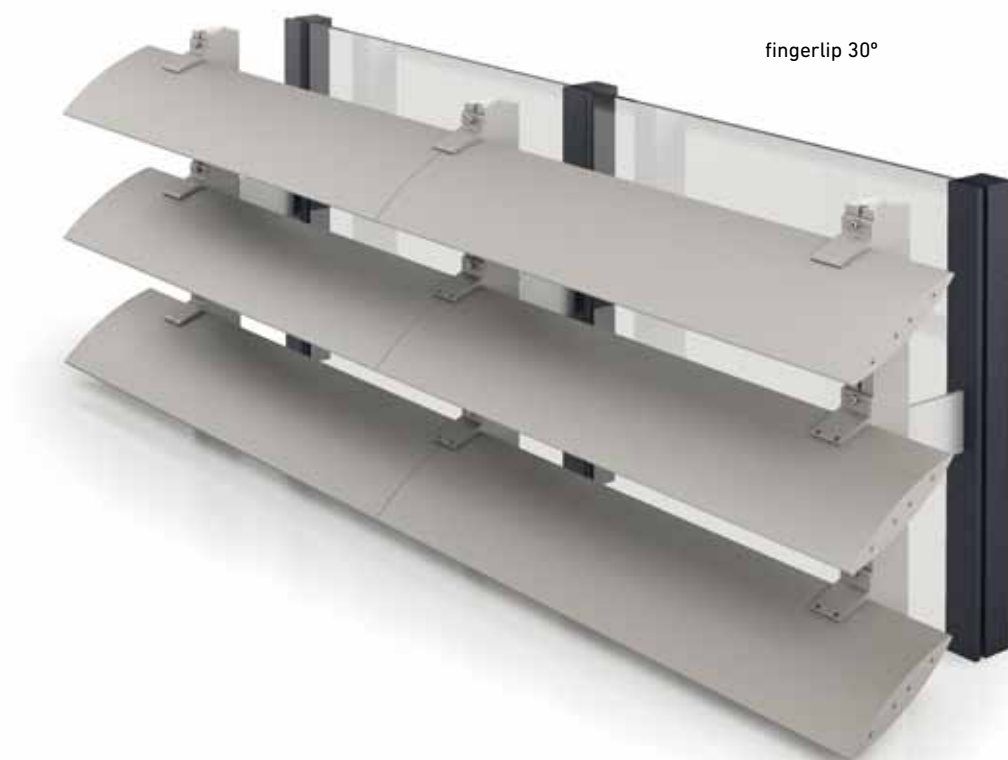
brise soleil - **fingerlip**

aluminio | *aluminium* | aluminium

lama fija continua | *lame fixe filante* | continuous fixed blade



fingerlip 0°



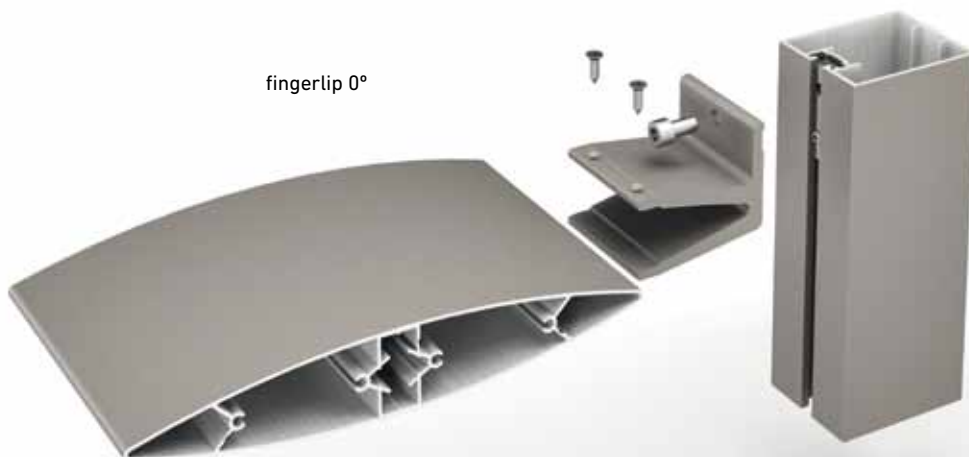
fingerlip 30°

brise soleil - **fingerlip**

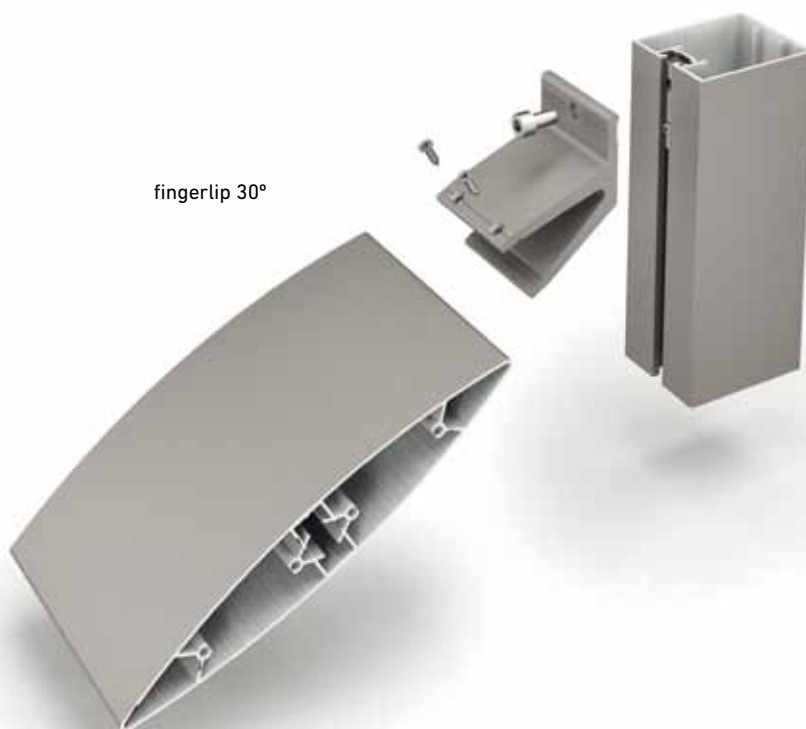
aluminio | *aluminium* | aluminium

lama fija continua | *lame fixe filante* | continuous fixed blade

fingerlip 0°



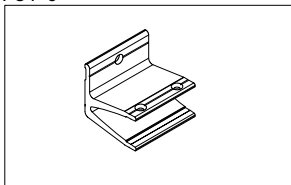
fingerlip 30°



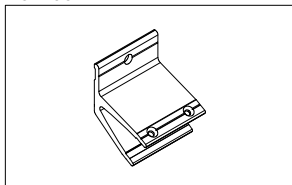
brise soleil - **fingerlip**
aluminio | *aluminium* | aluminium
lama fija continua | *lame fixe filante* | continuous fixed blade

FINGERLIP

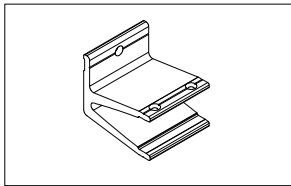
FG1-0°



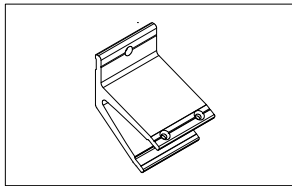
FG1-30°



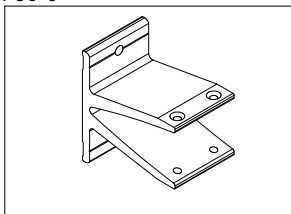
FG2-0°



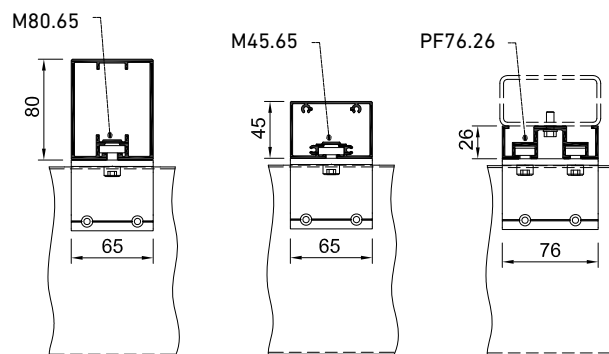
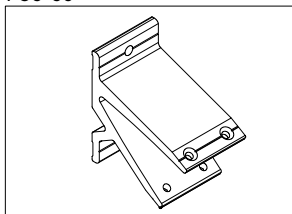
FG2-30°



FG3-0°



FG3-30°

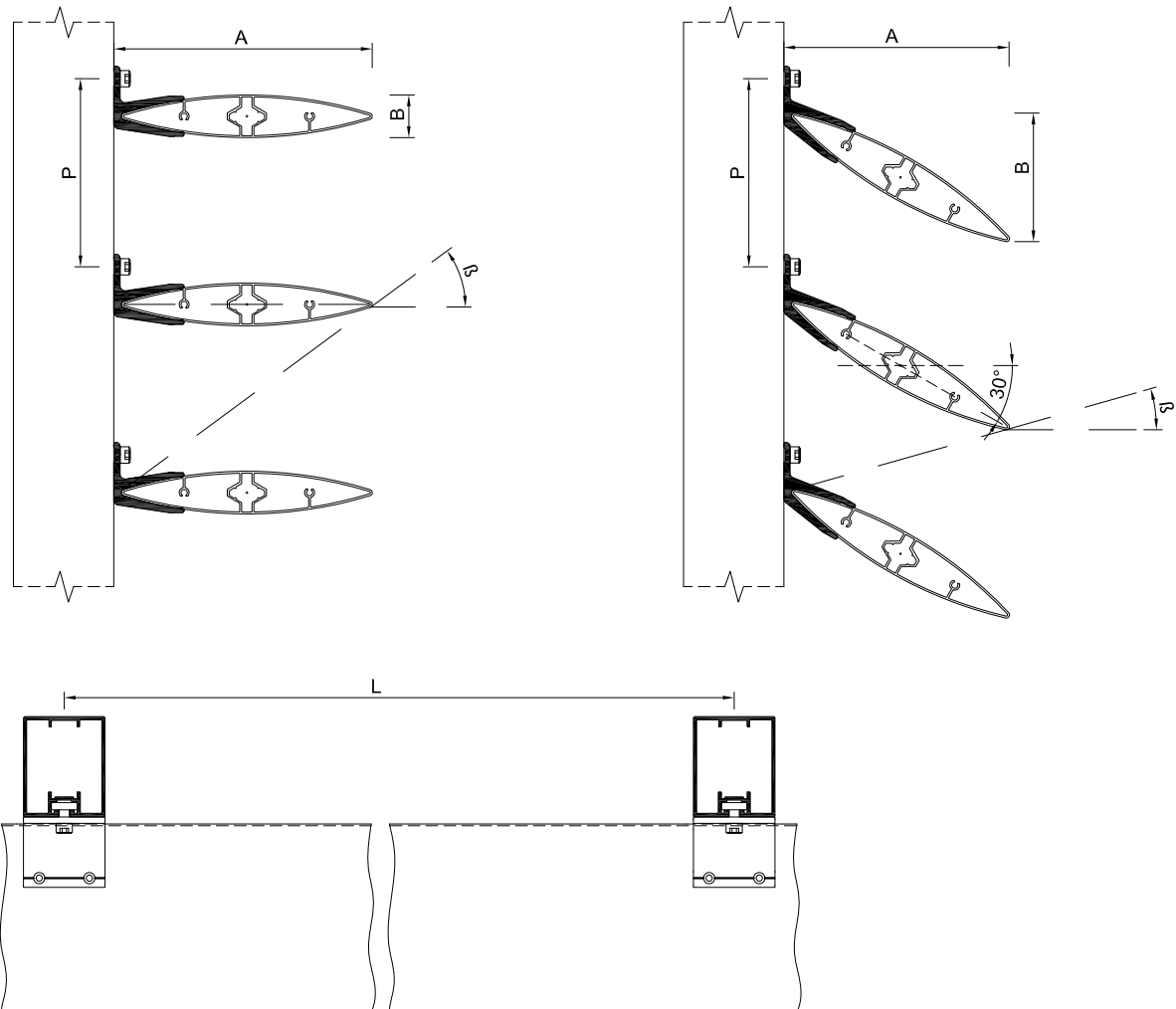


brise soleil - **fingerlip**

aluminio | *aluminium* | aluminium

lama fija continua | *lame fixe filante* | continuous fixed blade

cotas principales | *dimensions principales* | main dimensions



modelo modèle model	cotas principales dimensions principales main dimensions		Finger	L Max (mm)		P (mm)			
	A (mm)	B (mm)		600 Mpa	1250 Mpa	β = 15°	β = 30°	β = 45°	β = 60°

FINGERLIP - 0°

Lip.150	156	28	FG1-0°	3200	3000	68	115	178	288
Lip.200	206	34	FG1-0°	3400	3100	88	149	234	380
Lip.250	258	42	FG2-0°	3700	3100	109	186	292	475
Lip.300	308	5	FG2-0°	3900	3200	125	218	345	565
Lip.350	358	60	FG3-0°	4100	3500	154	262	410	666
Lip.400	408	65	FG3-0°	4300	3600	172	296	465	758

FINGERLIP - 30°

Lip.150	136	77	FG1-30°	3200	3000	110	150	205	300
Lip.200	180	102	FG1-30°	3400	3100	147	200	274	401
Lip.250	225	128	FG2-30°	3700	3100	183	250	342	501
Lip.300	269	150	FG2-30°	3900	3200	220	300	410	600
Lip.350	312	179	FG3-30°	4100	3500	256	351	479	702
Lip.400	355	203	FG3-30°	4300	3600	293	400	547	801





polideportivo | *salle de sports* | sports hall
Lip.400 - 30°
Francisco Jose Larrucea Arquitecto
Madrid