



**Cortasoles continuos - FINGERLIP / Aluminio**  
*Brise-Soleil fixe filant - FINGERLIP / Aluminium*  
Continuous Sun breakers - FINGERLIP / Aluminium

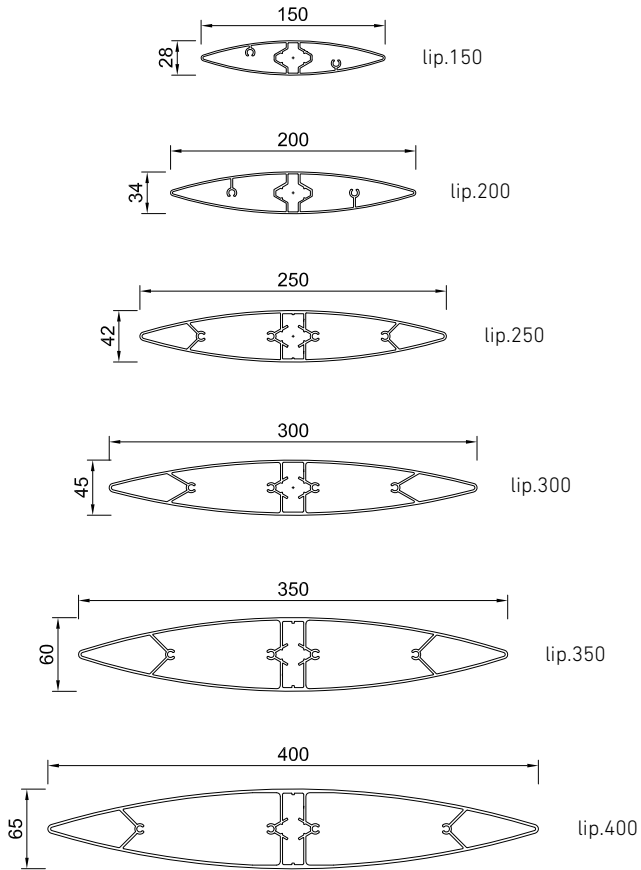
# brise soleil

aluminio | *aluminium* | aluminium

lamas de gran formato | *lames grand format* | large format blades

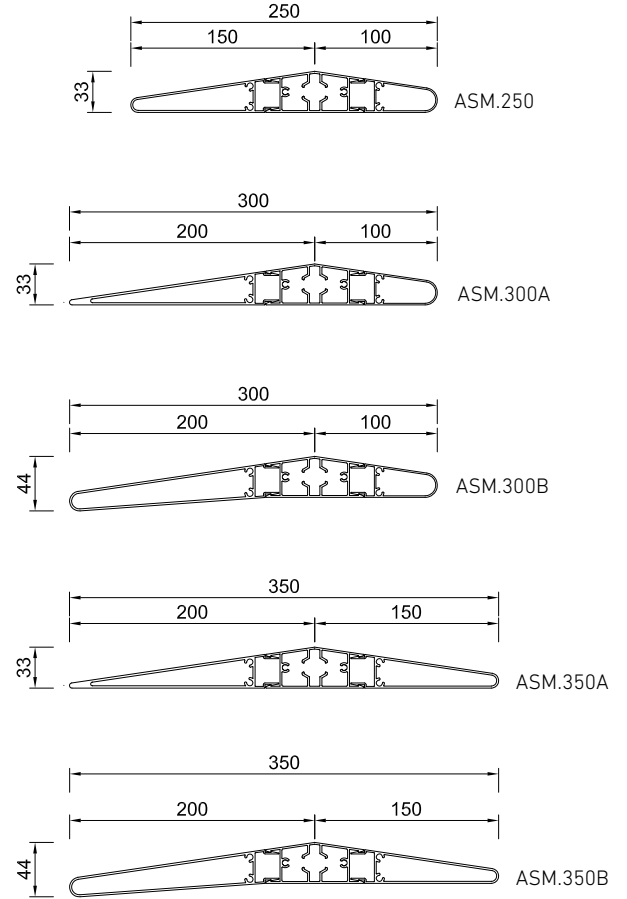
## tamilip

lamas orientables y fijas | *lames orientables et fixes* | movable and fixed blades

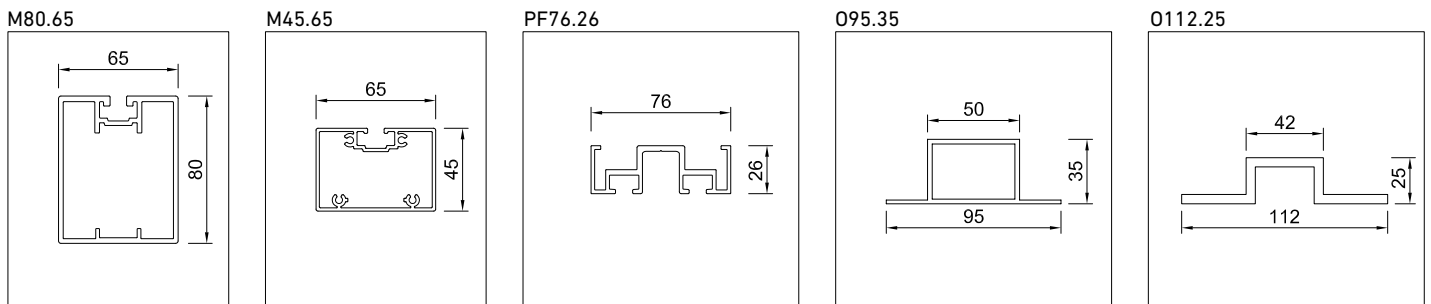


## variant asimetric

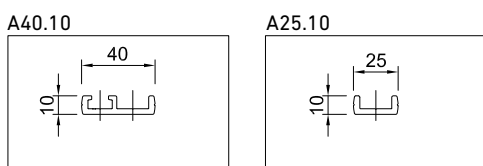
lamas orientables | *lames orientables* | movable blades



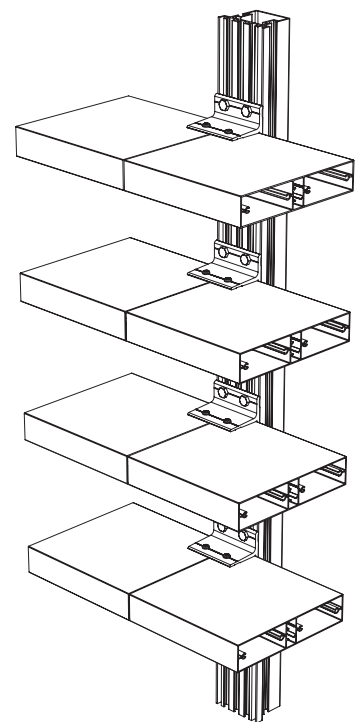
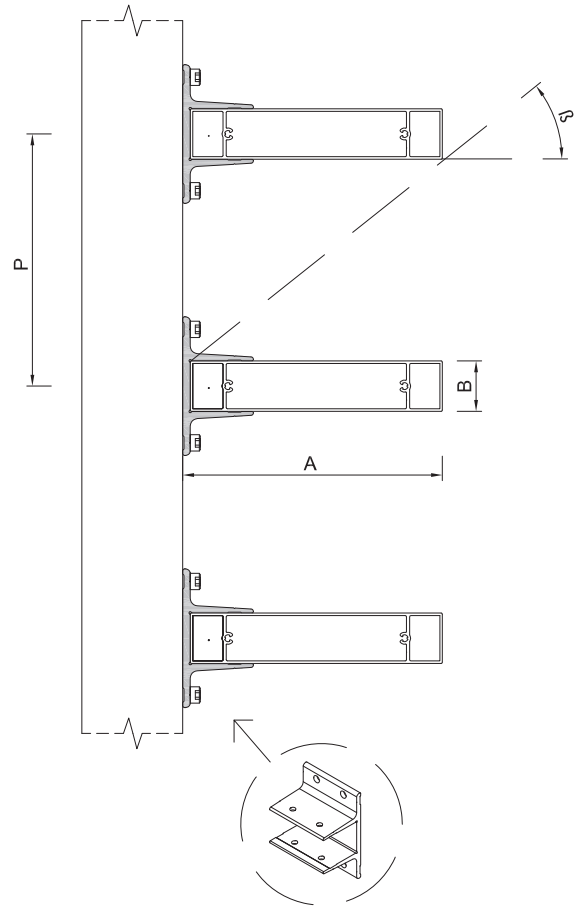
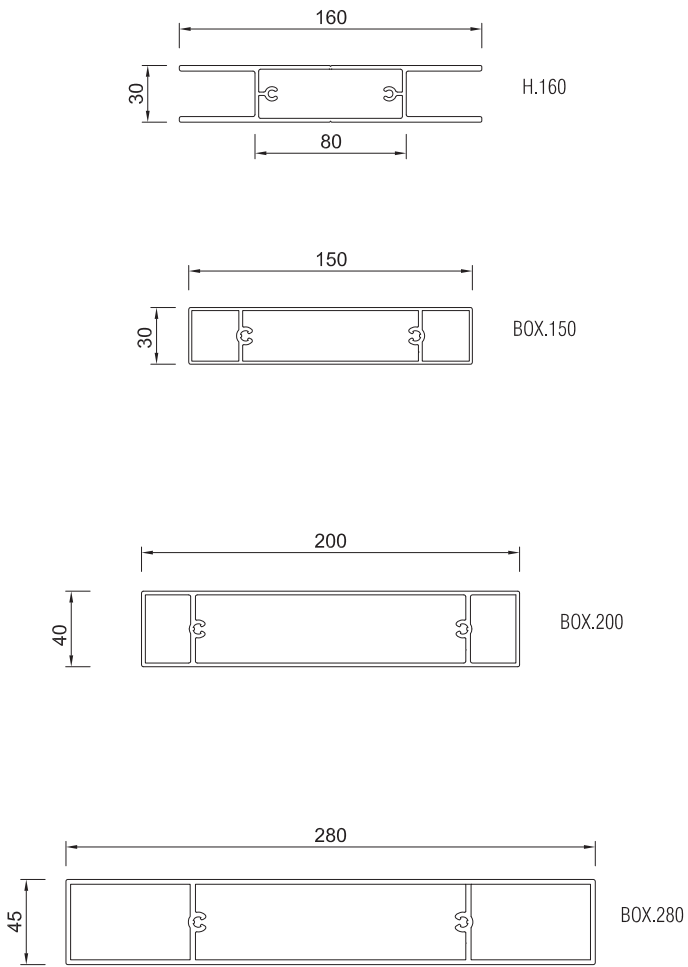
## montantes | *montants* | mullions



## arrastre | *barre de manouvre* | drive road



brise soleil - **tamibox**  
 aluminio | *aluminium* | aluminium  
 lama fija continua | *lame fixe filante* | continuous fixed blade



lama lame blade	cotas principales dimensions principales main dimensions		L Max (mm)		P (mm)			
	A (mm)	B (mm)	600 Pa	1250 Pa	$\beta = 15^\circ$	$\beta = 30^\circ$	$\beta = 45^\circ$	$\beta = 60^\circ$
<b>H.160</b>	166	30	3200	3000	73	122	190	307
<b>Box,150</b>	156	30	3400	3100	70	117	180	290
<b>Box.200</b>	206	40	3700	3100	94	155	240	386
<b>Box.280</b>	286	45	3900	3200	120	207	325	530

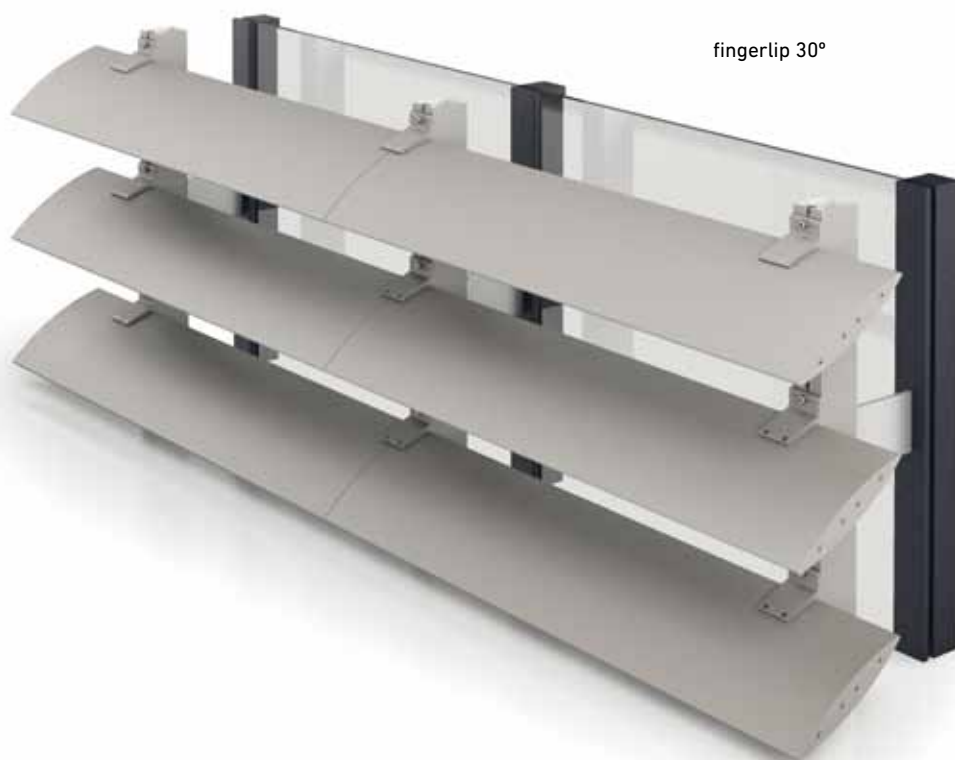
brise soleil - **fingerlip**

aluminio | *aluminium* | aluminium

lama fija continua | *lame fixe filante* | continuous fixed blade



fingerlip 0°



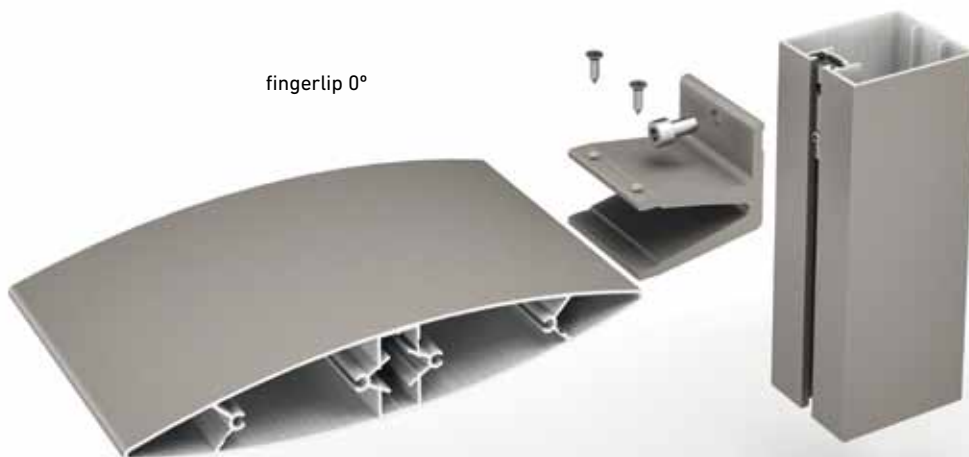
fingerlip 30°

brise soleil - **fingerlip**

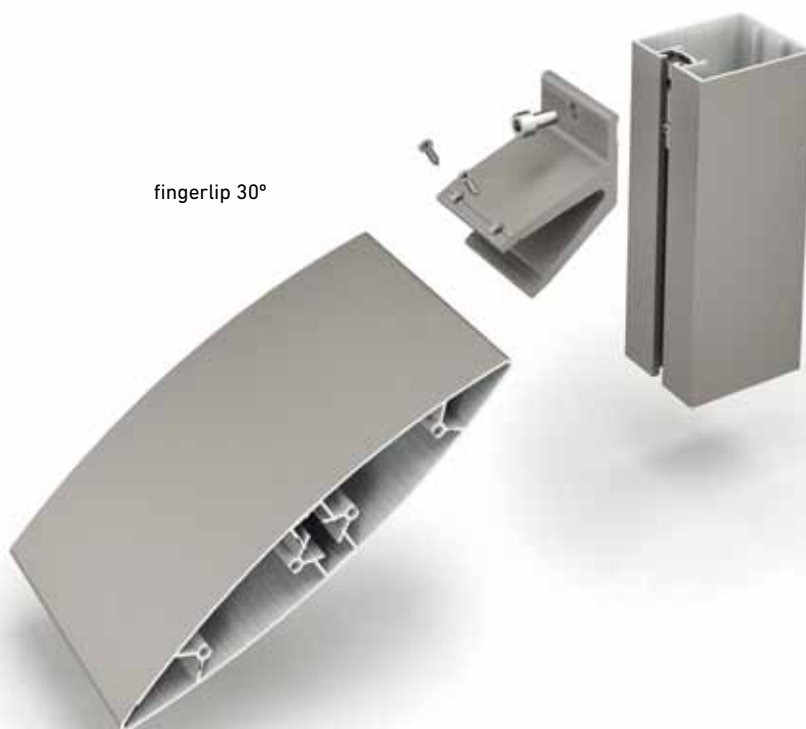
aluminio | *aluminium* | aluminium

lama fija continua | *lame fixe filante* | continuous fixed blade

fingerlip 0°



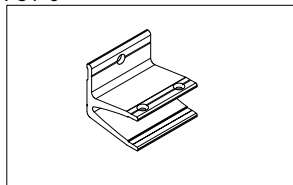
fingerlip 30°



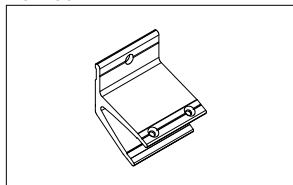
brise soleil - **fingerlip**  
aluminio | *aluminium* | aluminium  
lama fija continua | *lame fixe filante* | continuous fixed blade

FINGERLIP

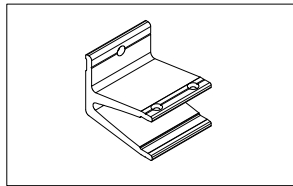
FG1-0°



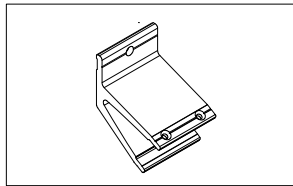
FG1-30°



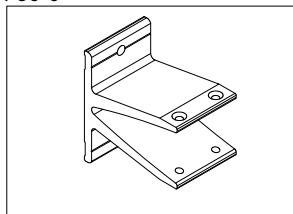
FG2-0°



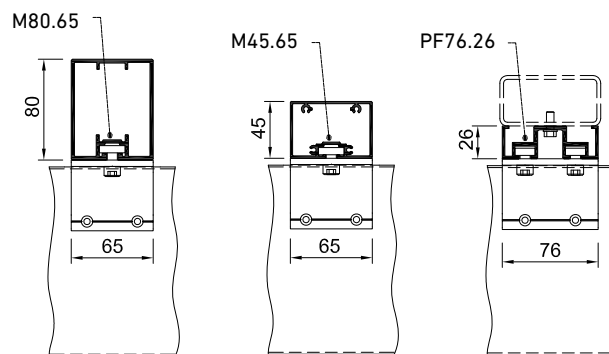
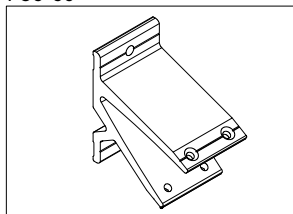
FG2-30°



FG3-0°



FG3-30°

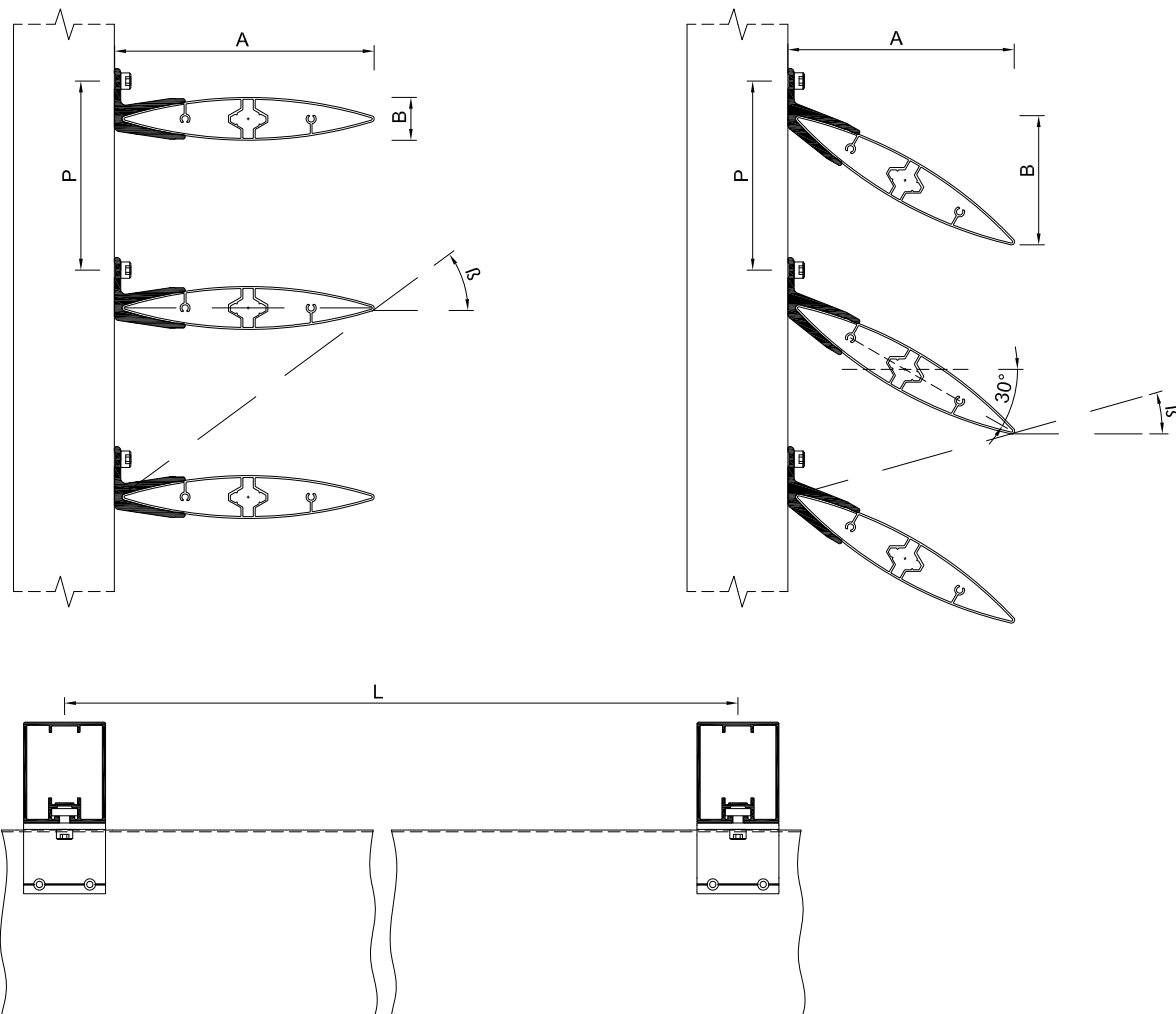


# brise soleil - **fingerlip**

aluminio | *aluminium* | aluminium

lama fija continua | *lame fixe filante* | continuous fixed blade

cotas principales | *dimensions principales* | main dimensions



modelo modèle model	cotas principales dimensions principales main dimensions		Finger	L Max (mm)		P (mm)			
	A (mm)	B (mm)		600 Mpa	1250 Mpa	$\beta = 15^\circ$	$\beta = 30^\circ$	$\beta = 45^\circ$	$\beta = 60^\circ$

## FINGERLIP - 0°

Lip.150	156	28	FG1-0°	3200	3000	68	115	178	288
Lip.200	206	34	FG1-0°	3400	3100	88	149	234	380
Lip.250	258	42	FG2-0°	3700	3100	109	186	292	475
Lip.300	308	5	FG2-0°	3900	3200	125	218	345	565
Lip.350	358	60	FG3-0°	4100	3500	154	262	410	666
Lip.400	408	65	FG3-0°	4300	3600	172	296	465	758

## FINGERLIP - 30°

Lip.150	136	77	FG1-30°	3200	3000	110	150	205	300
Lip.200	180	102	FG1-30°	3400	3100	147	200	274	401
Lip.250	225	128	FG2-30°	3700	3100	183	250	342	501
Lip.300	269	150	FG2-30°	3900	3200	220	300	410	600
Lip.350	312	179	FG3-30°	4100	3500	256	351	479	702
Lip.400	355	203	FG3-30°	4300	3600	293	400	547	801







**polideportivo** | *salle de sports* | sports hall  
Lip.400 - 30°  
Francisco Jose Larrucea Arquitecto  
Madrid